

3024 DC Ring Ionizer

A Compact Ring Static Eliminator

APPLICATIONS

- Pneumatic Transport Systems
- Polymer Feeding & Mixing Processes
- Trim & Scrap Removal
- Powder Conveying & Filling



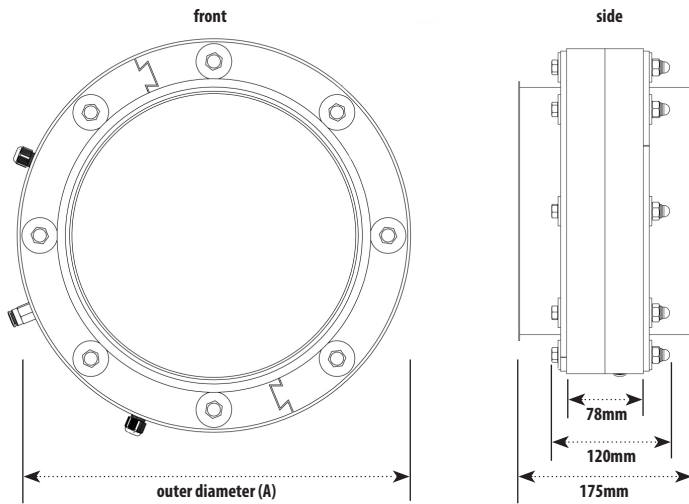
A compact ring static eliminator to neutralize charged material in pneumatic transport and polymer handling systems. The novel integration of high voltage DC ionization with air assistance provides the most powerful static neutralization to avoid static-induced blockages and product misbehavior in pipework, air separators, and discharge areas.

BENEFITS

- Increase production speeds
 - Increase profits
 - Reduce rejects
 - Reduce downtime
 - Enhance product quality
 - Enhance operator safety
- DC ionization separates polarities to provide ions with a longer and more effective life in eliminating static charge in the pipework.
 - Air assistance blows the ions into the center of the process flow for optimal product neutralization.
 - Available in 3 versions: 150mm, 200mm or 250mm flange coupling for installation with standard Jacob tubing.
 - LED on body of power unit shows operational status.
 - Positioned immediately before critical sections of pneumatic transport systems, the 3024 DC Ring Ionizer neutralizes the charge in the product to prevent problems at corners, air separators, cyclones and discharge points.
 - Widely used in polymer feeding and mixing processes and trim/scrap removal.

3024 DC Ring Ionizer Specifications

RING IONIZER DIMENSIONS:



Jacob Tube (OD)	A	Weight
150mm	235mm	6.0 kg
200mm	280mm	7.5 kg
250mm	330mm	8.0 kg

CONSTRUCTION:

PVC/steel body, stainless steel HV electrodes

DIAMETER:

For 150mm, 200mm or 250mm OD Jacob tube

OUTPUT VOLTAGE:

11kV supply via a separate power unit (included)

LOCAL STATUS INDICATION:

Top-mounted bi-color LED on power unit.

Green = OK

Red = Fault

ELECTRICAL INPUT:

24V DC (21 - 28 V), maximum current required 0.5A

M8 x 3-pin connector

AIR SUPPLY:

5 Bar max. pressure

Air fitting 8mm push fit

ENVIRONMENTAL:

0 - 60°C temperature, 70% rH non-condensing max

IP60

CERTIFICATION:

CE

OPTIONS:

10m cable + M8 3-pin connector

90 - 250V AC Power Supply

POWER UNIT DIMENSIONS:

