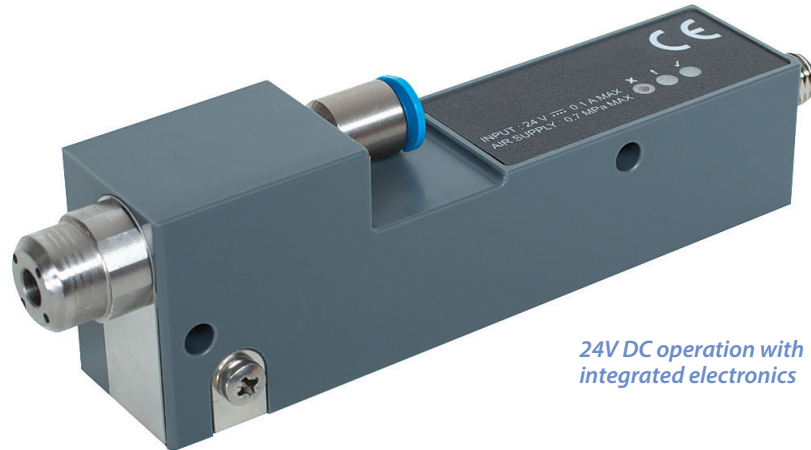


# 8001 Precision Point Ionizer

## Precision Point Ionization and Cleaning for High Technology

### APPLICATIONS

- High Tech, Controlled Environments
- Sensitive Electronics
- Medical & Pharmaceutical
- Confined spaces
- Precision Machinery
- Pneumatic Ionization
- Container/ Ionized Air Rinsing



*24V DC operation with integrated electronics*

### BENEFITS

- Increase production speeds
- Increase profits
- Reduce rejects
- Reduce downtime
- Enhance product quality
- Enhance operator safety

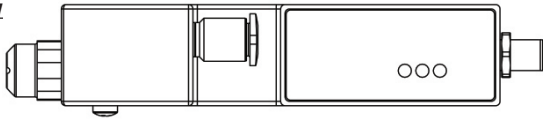
The 8001 Precision Point Ionizer provides compact precision point static neutralization and cleaning in higher technology, controlled environments. Easily removes static electricity and contamination from small objects, including sensitive electronic components and assemblies, and a wide range of ESD, medical and pharmaceutical applications.

- Integrated electronics for self-contained operation, needing only 24V DC and a compressed air supply
- 3kV of ionizing power
- Compact size. Base unit is 1.26"(h) x 0.9"(w) x 4.85"(l)
- Cleanroom compatible to ISO Class 4
- Balanced ionization exceeds ANSI ESD STM 3.1. Offset voltage typically better than +/- 20V
- Three LED lights on body show operational status
- Additional remote monitoring of status and cleanliness through 24V signal
- Complete range of easily interchangeable accessories including wide area showers, flexible and long nozzles, extensions and special pipework
- Applications include: neutralizing and cleaning PBC & electronic parts cleaning, sensitive assemblies, optical & precision lens manufacturing, food filling and sealing, DNA sequencing, instrument panels, medical & automotive molding & machining, plastic feeders, medical tubing extrusion, fiber optics

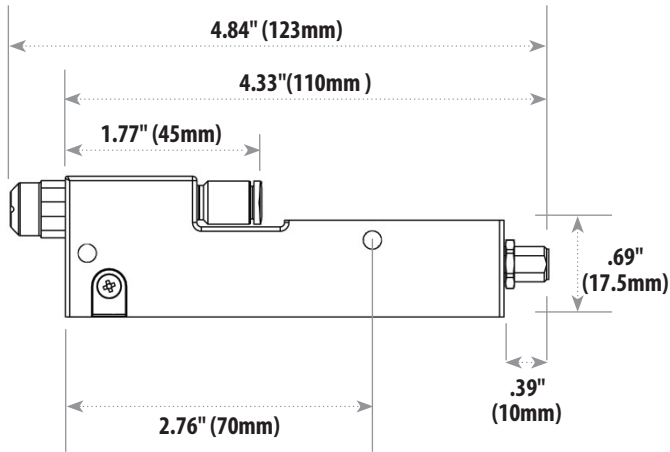


# Specifications

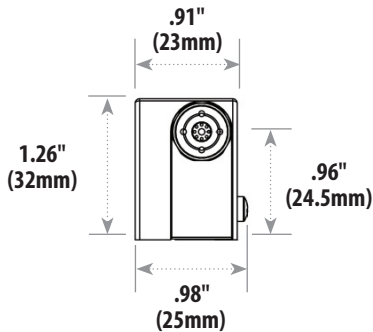
Top View



Side View



End View



**CONSTRUCTION:**

PVC body, stainless steel base, tungsten emitter

**OUTPUT VOLTAGE:**

Up to 3kV supply integrated into the lonizer  
65 - 70kHz.

**REMOTE MONITOR / LOCAL STATUS INDICATION:**

2 signals available: OK and Attention  
Outputs compatible with IEC 61131-2 Type 3 PLC inputs  
Signal protected against shorting and miswiring  
Three color LEDs on lonizer for local status indication

**ELECTRICAL INPUT:**

24V DC (21 - 28V), max current 0.1A.  
M8 x 4-pin male connector  
M8 x 4 24V DC cable to be ordered separately  
Optional: AC Power Supply 90 - 250 AC input

**AIR SUPPLY:**

0 - 70 PSI (0 - 5 Bars) max.  
7 - 30 PSI (0.5 - 2 Bars) optimum  
Push-fit connector for 6mm OD tubing

**ENVIRONMENTAL:**

0 - 130°F (0 - 55°C), 70% rH non-condensing max.

**CERTIFICATION:** CE

# Accessories

**POWER CABLES**

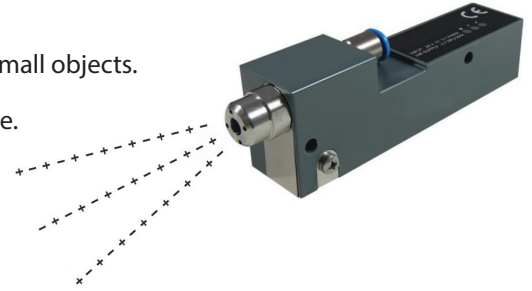
Length	with Straight Connector	with 90° Connector
3m	#LR-80892	#LR-80933
5m	#LR-80930	#LR-80934
7.5m	#LR-80931	#LR-80935
10m	#LR-80932	#LR-80936

**POWER OPTIONS & REPLACEMENTS**

Description	Part #
AC to 24 V DC power supply	#LR-3024-PSU
Spare Emitter Assembly	#FR-47012
Spare Standard Nozzle	#FR-470002
Spare Nozzle Holder Assembly Set	#FR-47013

The 8001 is a precision ionized air nozzle for static neutralizing and cleaning of small objects.

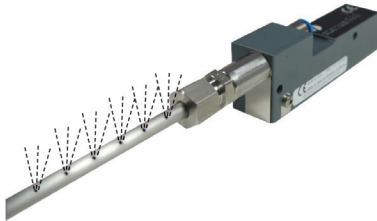
The accessory nozzles extend this capability by screwing into the nozzle aperture.



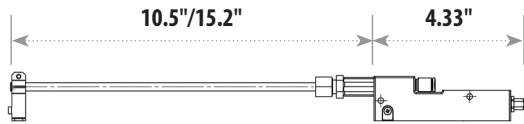
**NOZZLE ACCESSORIES**

**Ion Shower Nozzle**

This perforated stainless steel tube extends the ionized air effect to cover wider areas. Rotatable nozzle; 0.24" (6mm) dia.



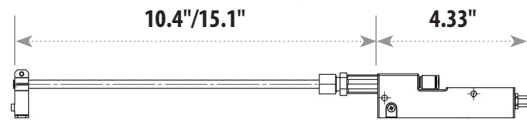
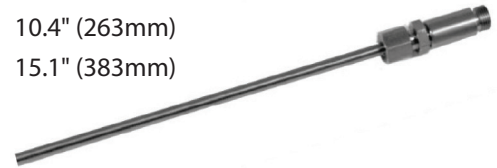
- #FR-47001 10.5" (266mm)
- #FR-47002 15.2" (385mm)



**Fixed Precision Nozzle**

Stainless steel extension pipe. Screws into nozzle aperture. Rotatable nozzle; 0.24" (6mm) dia.

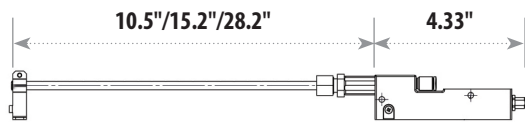
- #FR-47004 10.4" (263mm)
- #FR-47005 15.1" (383mm)



**Flexible Shape Preserving Nozzle**

Can be bent into curves and shapes to go around corners and through restricted spaces. Rotatable nozzle; 0.31" (8mm) dia.; Minimum bend radius 1.5" (40mm).

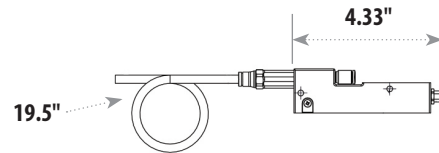
- #FR-47008 10.5" (266mm)
- #FR-47009 15.2" (386mm)
- #FR-47010 28.2" (716mm)



**Conductive Flexible Tube Nozzle**

Flexible nozzle can be bent to give access to hard-to-reach areas. 19.5" (500mm) long but can be cut to required length. 0.24" (6mm) dia.; Minimum bend of 0.24" (15mm).

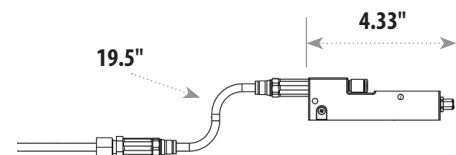
- #FR-47007



**Flexible Nozzle Extension**

Can be used with all of the accessories for design flexibility. 19.5" (500mm) long and can be cut to required length. Minimum bend 0.625" (15mm).

- #FR-47014



EXPERT TECHNICAL ASSISTANCE • 2 YEAR LIMITED WARRANTY