

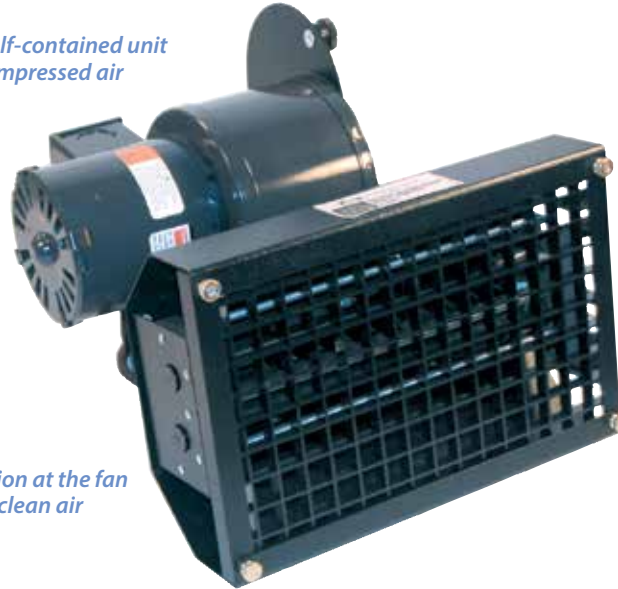
Vortex Blower

Provides a Large Volume of Ionized Air to Eliminate Tough Static

APPLICATIONS

- Converting
- Plastics
- Printing
- Textiles

*Compact, self-contained unit
needs no compressed air*



*Projects ionized air a
distance up to 10 feet*

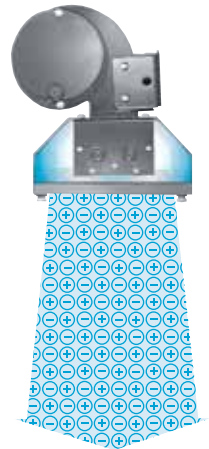
*Air filtration at the fan
provides clean air*

BENEFITS

- Increase production speeds
- Increase profits
- Reduce rejects
- Reduce downtime
- Enhance product quality
- Enhance operator safety

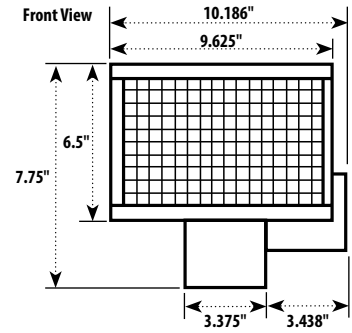
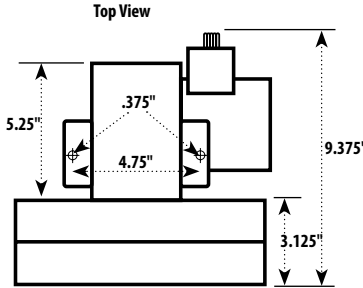
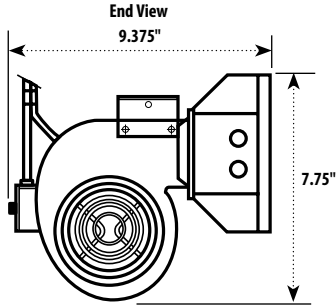
The TAKK Vortex Blower eliminates a high concentration of ions up to a distance of 10 feet—economically, quietly and free of emission hazards. The unit projects a large and ultra effective stream of ionized air, eliminating costly positive and negative static electricity problems in a wide variety of industrial applications, including converting, plastics, textiles, printing, painting and electronic assembly.

- Ionization is accomplished with the same high performance ionization system found in our Model 400T Static Elimination Bar
- Machinery can be operated at optimum speeds with fewer malfunctions
- Materials can be processed with fewer rejects and less waste
- Contamination of products by dust and dirt is prevented
- Employees are protected from shock
- Compact, self-contained, including power supply and controls; plugs into an AC power source
- Air velocity created by a centrifugal blower; no compressed air supply is needed
- Fan has a variable and controllable air speed and volume; air filtration at the fan assures a clean operation
- Easy to install, maintain and operate
- Long-lasting, dependable and economical



2
two year
warranty

Specifications



DIMENSIONS: wheel diameter = 3.938"; wheel width = 2.5"; overall = 6.938"W x 5.75"H x 5.375"D

VORTEX WEIGHT: 4.8 lbs.

AIR DELIVERY: 25 to 148 CFM

ION FIELD: Length of approx. 10'; width of 12" @ 1' from unit and 18" @ 3' from unit

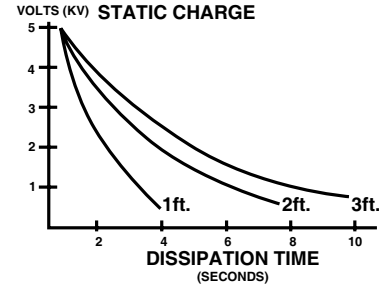
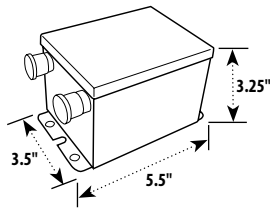
IONIZATION: 16 stay sharp emitters

7' POWER CABLE:

Connects Power Supply to Vortex

POWER SUPPLY:

115V - 50/60 HZ, AC; 8' power cord
0.5 Amp Current; 5 lb. weight



VORTEX MODELS



Vortex Blower with attached 6' power cord and 7' power cable



Power Supply

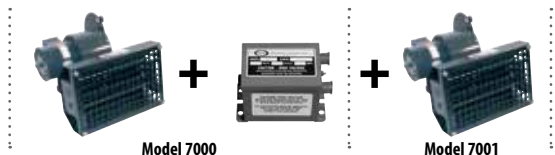


Universal Mounting Hardware

MODEL 7000: Vortex Blower with 6' Power Cord to outlet, 7' Power Cable to Power Supply, Power Supply, Universal Mounting Hardware (for quick, versatile installation)

MODEL 7001: same as 7000 without power supply

TWO UNIT OPERATION: A single power supply can be used to power two Vortex Blowers. Order one Model 7000 and one Model 7001.



Model 7000

Model 7001

PERFORMANCE CHARACTERISTICS

Graph shows approximate discharge times for the TAKK Vortex Blower to discharge a 5000 volt charge. Discharge times are proportionate to distance from unit to surface to be discharged. Distances shown are 1, 2 and 3 feet from the unit.

SUPERIOR BENEFITS

- Air velocity is created via a centrifugal blower
- No compressed air supply is needed
- Air speed and air volume are variable and controllable
- Air filtration at the fan provides a clean operation
- Superior static elimination is provided free from emission hazards
- Easy to install and maintain, and economical to operate
- Typical applications: static elimination from production processes involving PVC or foam, mold making, slitting, sheet paper and film, weaving and stitching, parts assembly, fill and pack operations, and many more

EXPERT TECHNICAL ASSISTANCE • 2 YEAR LIMITED WARRANTY