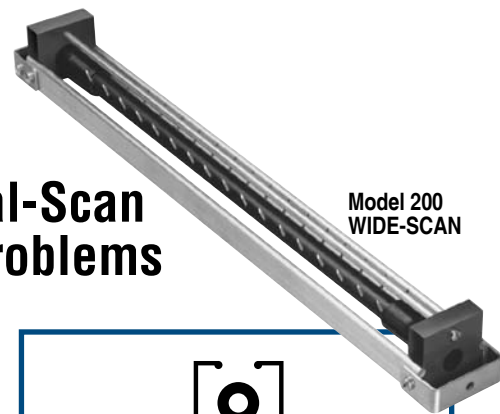


MODEL 200 SERIES STATIC ELIMINATOR BARS

Single-Scan, Wide-Scan, Air-Bar & Dual-Scan Power Solutions to your Costly Static Problems

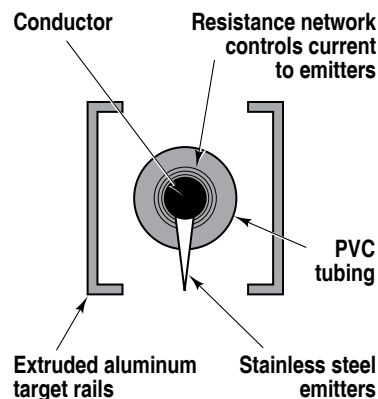


Higher quality and performance to increase your profits

Model 200 Series electronic static eliminator bars, with our Diffused Discharge System, offer you the high performance capabilities and precision engineered features you need to eliminate costly static problems throughout your plant... neutralizing both positive and negative static charges from webs, conveyors, sheets, molded or machined parts, etc.

TAKK static eliminator bars improve productivity and profits by increasing machine speed, eliminating jamming, reducing rejects and minimizing downtime. Workers experience no "shocking" safety hazards. Reduced dust attraction means higher quality products. Model 200 Series' compact, open bar construction facilitates maintenance in dirty environments and provides years of dependable service!

TAKK Diffused Discharge System



REDUCE REJECTS, WASTE & DOWNTIME
INCREASE MACHINE SPEEDS & PRODUCTIVITY
ENHANCE QUALITY & SAFETY

Visit us at www.takk.com



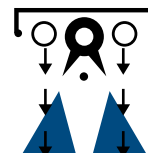
Model 200 SINGLE-SCAN

Single row of emitters—our most widely used static eliminator bar. Effectively removes both positive and negative charges from plastics, paper textile, etc. at very low cost.



Model 200 WIDE-SCAN

Two rows of emitters—like having the static neutralizing power of two bars in one. Use on high speed applications or to remove static from two perpendicular surfaces.



Model 200 AIR-BAR

Couples the high performance of the Wide-Scan bar with compressed air emitting tubes. Extends the range of the Model 200 Bar up to 8 ft. Floods area with static neutralizing air.



Model 200 DUAL-SCAN

Two rows of emitters set 180° apart. Scans up to 3" in each direction. Remove static from two diametrically opposed surfaces up to 7" apart.



TAKK INDUSTRIES INCORPORATED

8665 E. Miami River Rd. Cincinnati, OH 45247 USA
Fax (513) 353-4315 Phone (800) 792-8255 or (513) 353-4306
www.staticinsel.com www.takk.com sales@takk.com

Superior construction & features for extra dependability

SPECIFICATIONS

Bar:

PVC housing with aluminum ground targets.
Effective length from 3" to 120".
Weight: approx. 0.75 lbs. per foot

Power Cable:

Cathode Ray with Power Unit-to-Bar or Bar-to-Bar connections. Connects bar to power unit or bars to bars.

Emitters:

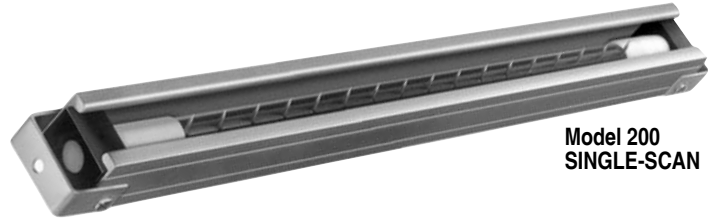
302 Stainless steel, 3.5 microamps; "shockless".
Emitters are replaceable.

Power Supply:

Model 200, Primary: 115 volts, 50/60 HZ, AC
Secondary: 6000 volts AC
Weight: 5 lbs.
Dimensions: 3.5"W x 3.25"H x 5.5"L

Options:

Air Regulator for Air-Bar - Part #2221



Model 200
SINGLE-SCAN



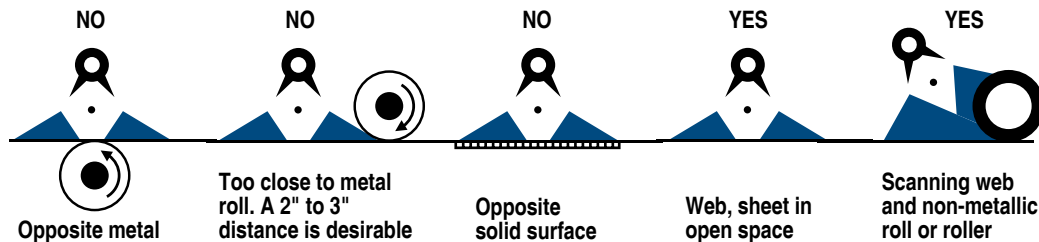
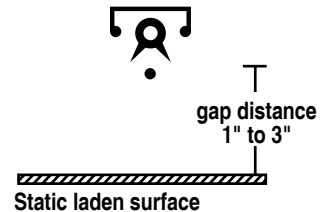
Power Cable



Power Supply

GENERAL RULES FOR POSITIONING ELIMINATOR BARS FOR OPTIMUM PERFORMANCE

Position over or under web or sheet. As a rule place at or just prior to the point of trouble. Place bars $\frac{1}{4}$ " to 3" (gap distance) from the static laden surface. Work under the assumption that any movement of the material over, or thru, or separated from rolls, tapes, etc. could generate a static charge. Multiple TAKK Static Eliminator Bars may be required for a single application. Note: the suggested bar locations below indicate position for "optimum performance" of the TAKK Static Eliminator Bar.



EASY TO INSTALL & MAINTAIN
COMPACT DESIGN
ELIMINATES STATIC AT ANY SPEED



TAKK INDUSTRIES INCORPORATED

8665 E. Miami River Rd. Cincinnati, OH 45247 USA
Fax (513) 353-4315 Phone (800) 792-8255 or (513) 353-4306
www.staticinsel.com www.takk.com sales@takk.com

How to specify Model 200 Static Eliminators

Effective length is the distance from the first emitter to the last emitter and typically would match the width of the web, conveyor or material to be neutralized. Effective length can be specified as any length from 3" to 120", in one inch increments.

When ordering, list the model number, initials of the model name and the effective length:

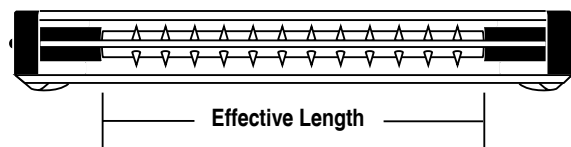
Model 200-SS—"effective length" for Single-Scan

Model 200-WS—"effective length" for Wide-Scan

Model 200-AIR—"effective length" for Air-Bar

Model 200-DS—"effective length" for Dual-Scan

Example: Model-200-WS-012 is a Wide-Scan Bar with 12" effective length.



OTHER SPECIFICATIONS

Overall length = Effective Length + 2.625"

One **Model 200 Power Supply** can run any number of bars for multiple bar or multiple machine installations. Two bars can be operated (in parallel) directly from a single power supply. Additional bars can be added by using cables to connect from the end of one bar to another (in series).

Model 200 Cables are available with Power Unit-to-Bar connectors or Bar-to-Bar connectors. Specify Model 200 cables as follows:

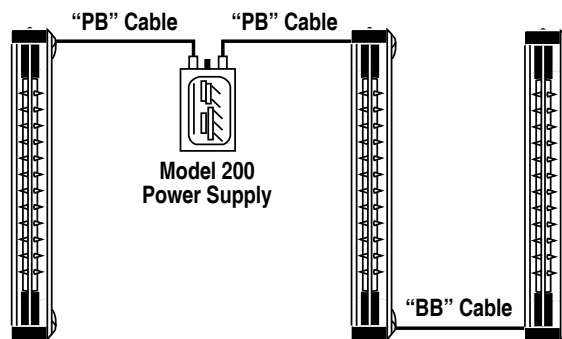
Model 200-PB—"length desired" for Power Unit-to-Bar

Model 200-BB—"length desired" for Bar-to-Bar

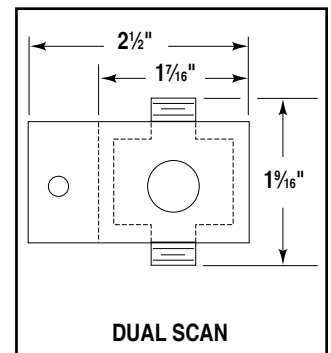
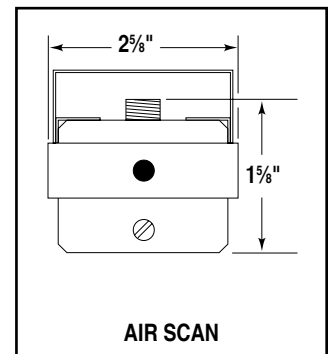
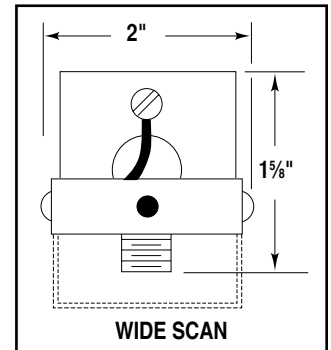
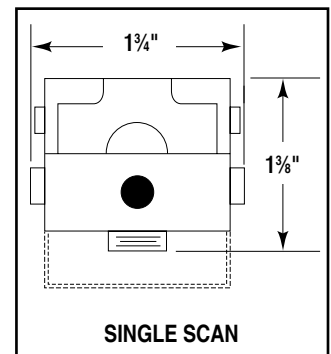
Mounting Straps and Fasteners allow for ease of installation. Straps can be fastened to bracket at end of bar or mounted to machine frame.

Multiple Bar and Machine Installations

Parallel or Series Installation



End View of Static Eliminator Bar



**CONTACT US FOR TECHNICAL ASSISTANCE—
SEND A FAX OR EMAIL OUTLINING YOUR STATIC PROBLEM**



TAKK INDUSTRIES INCORPORATED

8665 E. Miami River Rd. Cincinnati, OH 45247 USA
Fax (513) 353-4315 Phone (800) 792-8255 or (513) 353-4306
www.staticinsel.com www.takk.com sales@takk.com