

ANTI-STATIC COPPER TINSEL BARS

Combines the benefits of low cost tinsel
with the advantages of rigid bar mounting

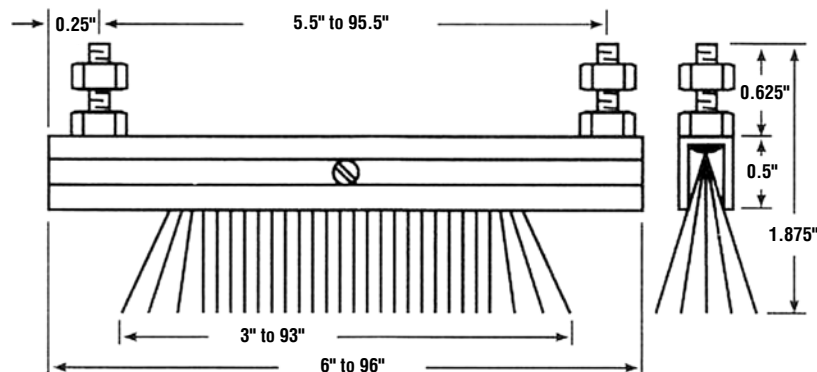


• QUALITY 100% COPPER • NO POWER NEEDED • HIGHLY EFFECTIVE

Tinsel Bars are self-energizing, induction type (no power needed) static eliminators which do not spark or cause sparks, and can be used in hazardous locations. The replaceable 100% copper tinsel insert is mounted in a lightweight anodized aluminum holder. Rigid construction allows precise positioning. Measures $\frac{3}{8}$ " wide x $1\frac{1}{4}$ " deep. Available in specified lengths 6" to 96", in one inch increments.

Tinsel bar eliminates static electricity from moving materials or product as they pass over or through rolls, conveyors, grippers, etc. Typical applications include material handling lines, conveyors, web processing, printing presses, printers, mail processing, collators, and plastic processing. Bar may be mounted with tinsel in direct contact with the affected surface (serving as a ground) or within $\frac{1}{4}$ " of the surface (serving as a neutralizer). Easy to install even in tight locations.

The bar can be mounted by affixing directly to machine frame, affixing with custom made mount straps, or suspending by chains.



Visit www.staticinsel.com for other passive eliminators



TAKK INDUSTRIES INCORPORATED

8665 E. Miami River Rd. Cincinnati, OH 45247 USA
Fax (513) 353-4315 Phone (800) 792-8255 or (513) 353-4306
www.staticinsel.com www.takk.com sales@takk.com