

MODEL 5605 ANTI-STATIC NYLON BRUSH

Low Cost Effective Protection Against Static

PASSIVE NO-POWER-NEEDED STATIC ELIMINATORS



TAKK Anti-Static Nylon Brushes effectively eliminate positive and negative static electricity from industrial production equipment and from business machines. They are self-energizing, inductive type (no power needed) static eliminators, which do not spark or cause sparks and can be used even in hazardous conditions. The brush is quality constructed of conductive nylon fibers mounted in an anodized aluminum holder. Available in lengths 1" to 120", they may also be ganged for longer lengths. Brushes may be utilized with fibers in direct contact with affected surfaces (serving as a ground) or within ¼ inch of the surface (serving as a static eliminator).

Optional Stainless Steel Fibers And Other Options:

Model 5635 Stainless Steel Fiber Brushes are available in the same mounting and lengths as model 5605, along with Thunderon fibers, plus other custom fibers and sizes. We welcome requests for brushes of special composition or design.

Typical Applications:

High speed paper and plastic webs, conveyors, continuity testing, coating operations, material handling lines, business machines, copiers, printing presses, mail processing and collators.

OEM Availability:

Nylon and other fiber brushes are available to manufactures of other original equipment to suit their specific and unique needs.

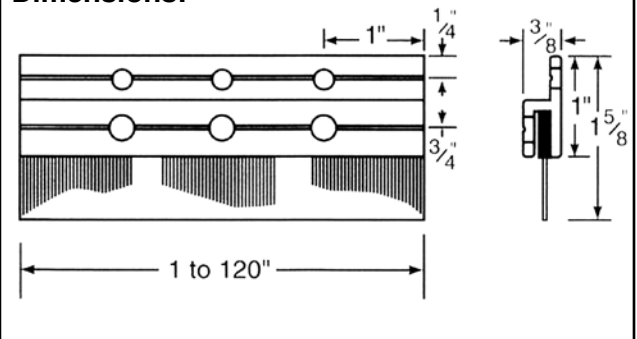
Replacement Inserts:

Nylon (Model 5600) and Stainless Steel (Model 5635) replacement inserts are available.

Specifications:

Conductive Nylon anti-static brushes are available standard in lengths of 6", 12", 18", 24", 30", 36", 48" and 60" (see illustration). Standard Nylon Fiber: Conductive Nylon, .002 inch filament diameter, 3000 per inch (double density) filament count, 2×10^{-5} ohm-cm electrical resistivity. Standard Stainless Steel Fiber: Stainless Steel, 12 microns filament diameter, 1200 per mm (single density) filament count, 50 ohm per cm resistance, 6×10^{-5} ohm-cm electrical resistivity.

Dimensions:



Visit our website www.staticinsel.com or www.takk.com



TAKK INDUSTRIES INCORPORATED

8665 E. Miami River Rd. Cincinnati, OH 45247 USA
Fax (513) 353-4315 Phone (800) 792-8255 or (513) 353-4306
www.staticinsel.com www.takk.com sales@takk.com