

MODEL 5815 AIR GUN

For a static-free, contaminant-free work environment

A lightweight, heavy duty, durable tool

TAKK's Model 5815 is an easy-to-use shockless AC ionized air gun designed for elimination of costly positive and negative static electricity from static laden equipment and parts...and for forced air removal of dust and contaminants. This quiet unit consists of a stainless steel ionization head and guard, with an aluminum air nozzle mounted on a rugged plastic air gun handle, and includes a 10 foot cable. Engineered for maximum static elimination and low air consumption as it neutralizes and cleans. Ideal for three dimensional parts and surfaces. Designed for use with TAKK's standard 2000S power supply. Customer compressed air supply is required.



MODEL 5815 SPECIFICATIONS & APPLICATIONS

DESIGN & PERFORMANCE: The open design of Model 5815's ionization head and the airflow amplifier nozzle give the unit maximum operational efficiency. The modularity of the unit affords easy repair and maintenance.

CONSTRUCTION: Stainless steel ionization head and guard, plastic handle, aluminum nozzle.

CABLE: 10 ft. cable is standard. Other cable lengths available by request.

SAFETY: The system is shockless and employees are protected from accidental shock. Unit meets OSHA and other standards. The nozzle can not be dead-ended.

NOISE: The unit is quiet. At 60 PSI it produces only 65 dBA.

MAXIMUM TEMPERATURE: 60° C (140° F)

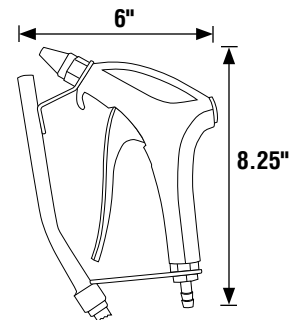
POWER SUPPLY:

Two outputs for two gun operation.

3.25" (H) x 3.5" (W) x 6.75" (L) / 83 mm (H) x 89 mm (W) x 171 mm (L)

Part #2000S – 6000 V, 120 V, 50/60 Hz., standard

Part #2002S – 6000 V, 220 V, 50/60 Hz., optional



AIR CONSUMPTION ECONOMY: Air consumption varies with the air pressure.

Air Pressure PSI	45	60	75	100*
Air Consumption CFM	6.1	7.2	8.2	9.4
Velocity FPM	2800	3500	4100	4500

*maximum

AIR FITTINGS: Threaded fitting at base of handle is 1/4" NPT. A fitting for a 1/4" hose is supplied unless otherwise specified. The air supply pipe should be minimum 1/8" for a 10 ft. run. For longer pipe runs use a larger bore pipe to avoid pressure drop.

DECLARATION OF CONFORMITY: This equipment is certified to all available CE standards and is entitled to display the CE mark.

MAJOR BENEFITS: This product will help you increase production speeds, reduce rejects and downtime, enhance quality and operator safety and increase profits. Each unit is designed and engineered for peak performance, rugged dependability and ease of use.

APPLICATIONS

- Molds & Molding
- Optics
- Automobile Parts
- Screen Printing
- Plastic Sheets
- Electronic Assemblies
- Pre-Paint Decontamination
- Clean & Neutralize 3-D Parts
- Photo Finishing
- Lens Cleaning
- Furniture Finishing
- Package Cleaning

INCREASE PRODUCTIVITY & PRODUCT QUALITY

Visit us at www.takk.com



TAKK INDUSTRIES INCORPORATED

8665 E. Miami River Rd. Cincinnati, OH 45247 USA
Fax (513) 353-4315 Phone (800) 792-8255 or (513) 353-4306
www.staticinsel.com www.takk.com sales@takk.com